



POLICON
Engineering & Manufacturing

Sulphur Hopper

Sulphur Hopper

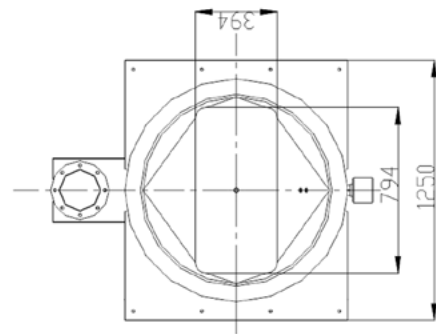
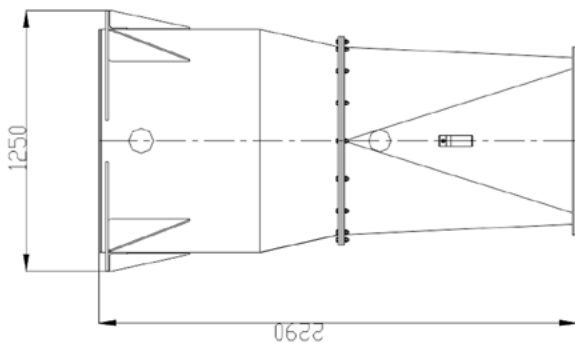
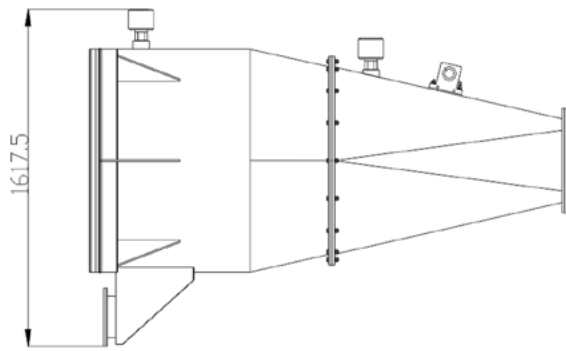
The sulfur hopper is designed to create a technological reserve of sulfur in the zone of the rubber mixer and intermediate storage of it before feeding it to the metering device using a feeder.



Features:

- the hopper is made of stainless steel with a protective polymer coating.
- relays for upper and lower material levels are installed
- to protect against static electricity, a carbon dioxide input system is installed.

Sulphur Hopper





Technical Specification:

Hopper volume full, m3.....	2,0
Compressed air pressure in the pneumatic system, MPa.....	0,4 - 0,6
Compressed air consumption, m3 / h, no more.....	0,17
Power Management:	
current	constant
voltage, V.....	24
Type of vibrator	pneumatic
Level switch	vibration
Overall dimensions, mm, no more	
length	1 618
width	1 250
height	2 290
Weight, kg, no more.....	380

This product can be manufactured according to the technical specifications of the customer, taking into account its predetermined parameters and features.

It is recommended for automatic weighing systems in workshops for preparing rubber mixtures in factories of tire, cable and rubber products.

Full cycle engineering services

Food Machinery

Machinery for tires, rubber, plastics manufacturing

Machinery for the chemical and oil and gas industry

Machinery for the perfumery and cosmetic industry

Modernization and automation of production

Non-standart equipment

Production of spare parts, components, assemblies

Outsourcing services - repair and maintenance of equipment



Policon JSCo

194 Lermontov Str, Omsk 644009, Russia

Tel./Fax: +7 (3812) 36 74 12, 36 74 02, 48 48 30

e-mail: info@policon-rt.ru

www.policon-rt.ru